

LITHIONICS BATTERY®

LITHIUM-ION IRON PHOSPHATE BATTERY SYSTEMS



MODEL NUMBER:
GTX12V315A-E2107-CS200

INTERNAL BMS
VERSION



Connects to the official
Lithionics Battery Monitor App

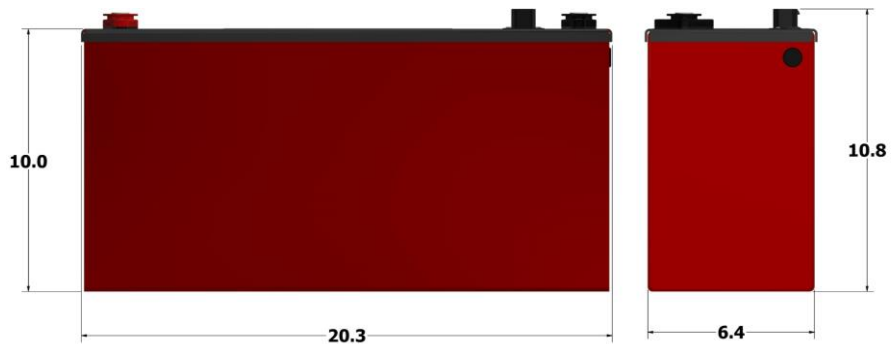


| Item | Description |
|---|--|
| Model | GTX12V315A-E2107-CS200 |
| Nominal Voltage | 12.8V |
| Nominal Capacity | 315Ah |
| Nominal Watt Hours | 4032Wh |
| Internal Resistance | <3mΩ |
| Charge | |
| Charging temperature range | 32F/0C to 113F/45C |
| Charge voltage | 14.4V |
| Recommended float charge voltage(for standby use) | 13.4-13.6V |
| Recommended max charge current* | 157.5A |
| Allowed max charge current* | 250A |
| Discharge | |
| Discharging temperature range | -4F/-20C to 131F/55C |
| Operating Voltage Range | 11.6-13.4V |
| Recommended max discharge current* | 200A |
| Max discharge current* | 250A |
| Pulse discharge current (1 second) | 1575A |
| Discharge cut-off voltage | NeverDie® Power Reserve @ 12.0V Low-Voltage Cut-Off @11.6V |
| Mechanical | |
| Dimensions | Length 20.3" Width 6.4" Height 10.0" |
| Weight | Approx. 68lbs (30.8kg) |
| Storage | |
| Storage Temperature & Humidity Range | < 1 Month -4~95°F (-20~35°C), 45~75%RH < 3 Months 14~86°F (-10~30°C), 45~75%RH Recommended storage 59~95°F (15~35°C), 45%RH~75%RH |
| Long Term Storage | If the battery needs to be stored for > 3 months the voltage should be 13.2V (50%SOC), and stored at the recommended storage specifications shown above. Additionally, the battery needs at least one charge & discharge cycle every six months. |
| Self-discharge rate | Residual capacity ≤3% per month; ≤15% per year Reversible capacity ≤1.5%per month; ≤8% per year |

* Maximum charging and discharging rates apply depending upon the ambient temperature and duty cycle of the system. UL1973 tests of maximum charge and discharge current were performed at 25°C/77°F

INTERNAL NEVERDIE® FEATURES

- miniBMS® Cell/Module Sensors and Microprocessors with Automatic Cell Balancing
- NeverDie® Power Reserve (Spare Fuel) for Hotel Loads and Worry-Free Power for Engine Cranking
- Over-Charge, Over-Discharge and Short-Circuit Protection (LVC, HVC, SCC)
- Available NeverDie® Internal Heating Kit: Permits Charging Operations at -20C/-4F Continuous
- Pushbutton Storage Operation
- Ampseal 8 Harness Kit (see next page for details)



ENERGY

315 AMP HOURS

PULSE AMPS: 3150 (1 SEC)

4032 WATT-HOURS

WARNING

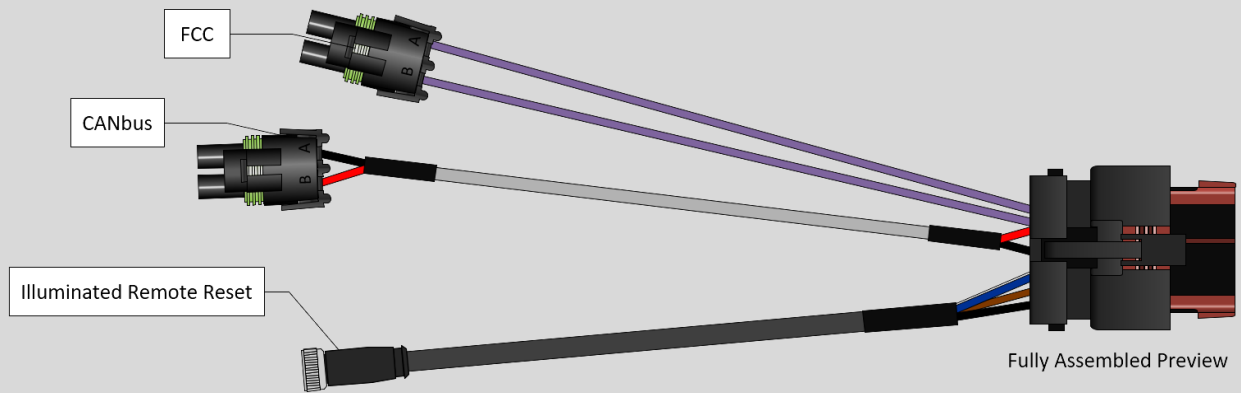
1. LITHIUM BATTERIES ARE NOT DESIGNED FOR CHARGING IN SUB-FREEZING TEMPERATURES. CONTACT LITHIONICS BATTERY® FOR DETAILS ON OUR COLD WEATHER PACKAGE.
2. INSTALLATION: IT IS RECOMMENDED THAT BATTERIES BE INSTALLED CABLE OR TERMINAL SIDE UP.

NOTE: CONTACT LITHIONICS BATTERY® FOR A USER INSTALLATION GUIDE & STORAGE PROCEDURES. FOLLOW THE GUIDE TO ENSURE FITNESS OF USE & WARRANTY.

12V
GTX
SERIES

PART NUMBER:
75-H1FCR-CS2 Ampseal 8 Harness Kit

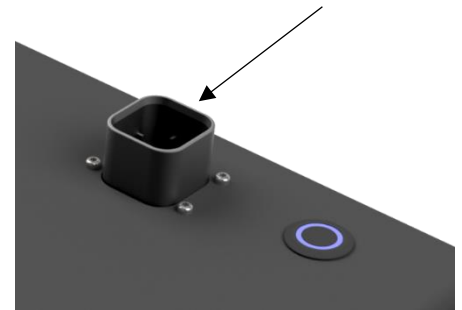
EXTERNAL
ACCESSORIES



| Feature | Description |
|----------------------------|---|
| FCC | Alternator Field Control Circuit |
| Remote Reset Switch | Illuminated Remote Momentary Power Switch |
| CANBus | Limited CANBus RV-C Telemetry |

ABOUT AMPSEAL 8

The mating Ampseal 8 connector kit is designed for use with any battery equipped with the NeverDie® Compact Series 200 Internal Battery Management System (BMS). The 8 pin Ampseal connector is located on the top of the battery and is used to access the BMS's ported features. This allows implementation of the combination of BMS functions listed above. Mating cable extensions are optional and available separately per the part numbers listed below.



| Optional Mating Extensions: | | |
|-----------------------------|--------------------------|--|
| Part Number | Model | Description |
| 75-149-180 | FCC Extension | Dual Weatherpack Connector to Bare Wires, 15ft Length |
| 75-224-196 | Illuminated Remote Reset | M8 Connector to Illuminated Remote Switch, 16ft Length |

Note: Contact factory regarding mating connections for CANBus feature.