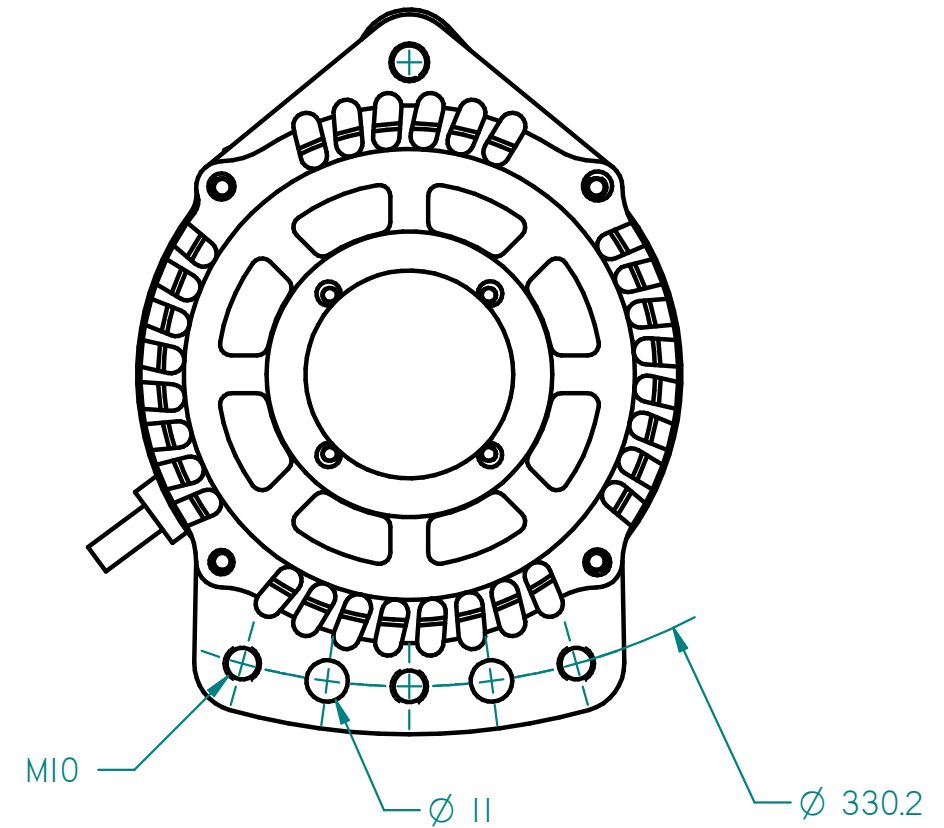
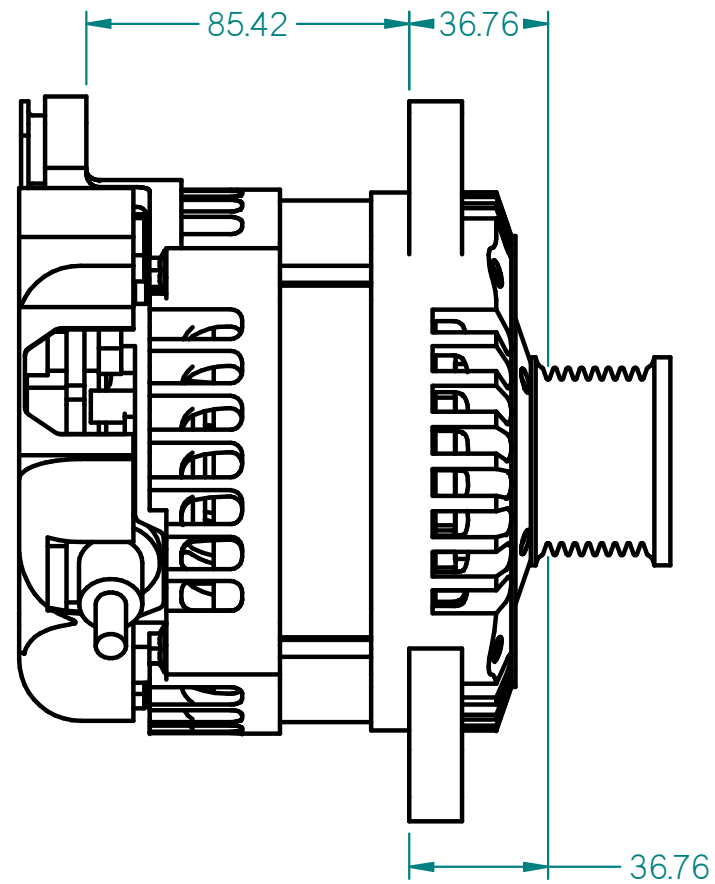



REVISIONS			
REV	DESCRIPTION	DATE	APPROVED
A			



	NAME	DATE	 American Power Systems, INC. 426 W. 2nd Street, Davenport, IA 52801 (563) 323-8089
DRAWN	MTM	2/29/2016	
CHECKED			
ENG APPR			
MGR APPR			
UNLESS OTHERWISE SPECIFIED DIMENSIONS ARE IN MILLIMETERS ANGLES $\pm 0.5^\circ$ 2 PL ± 0.25 3 PL ± 0.100			TITLE <h2>Sail Boat ALT</h2>
SIZE	DWG NO	REV	
B	XXXHPI-SMB-12		
MATERIAL:			
SCALE: 1:2	WEIGHT: 0.000 kg	SHEET 1 OF 1	